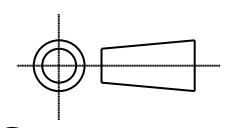


ISS.	DATE	E.C.N.	DESCRIPTION
1	17-Nov-08		FIRST ISSUE

© 2008 CARCLO
ALL DIMENSIONS IN mm



CUSTOMER DRAWING



CARCLO TECHNICAL PLASTICS (SLOUGH) LTD.
111 BUCKINGHAM AVE, SLOUGH
SL1 4PF, ENGLAND
TEL: +44 1753 575011 FAX: +44 1753 811359
e-mail: design@ctpcoil.co.uk}

GENERAL TOLERANCES (UNLESS STATED)

LINEAR	ANGULAR
X +/- 0.25	X +/- 1°
X.X +/- 0.1	X.X +/- 0.5°
X.XX +/- 0.05	X.XX +/- 0.1°

CUSTOMER
CARCLO

TITLE
10MM SQUARE LED OPTIC FRONT LENS VERSION

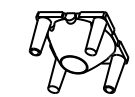
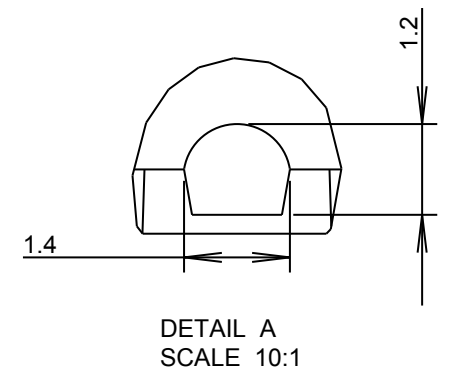
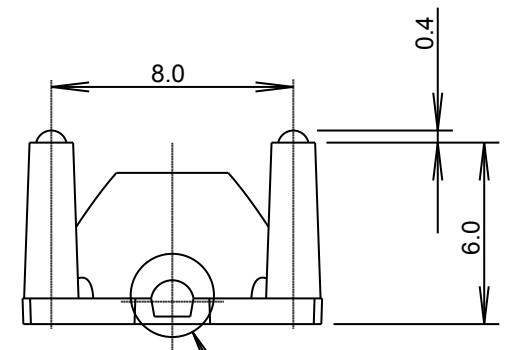
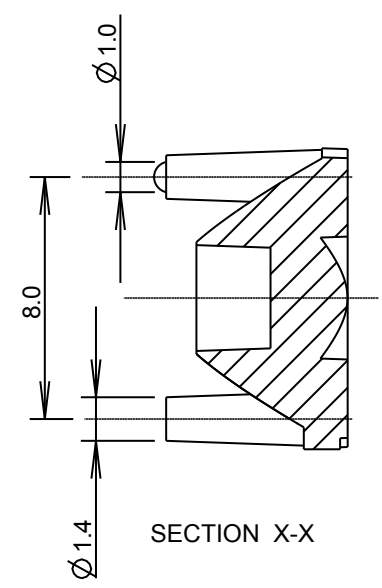
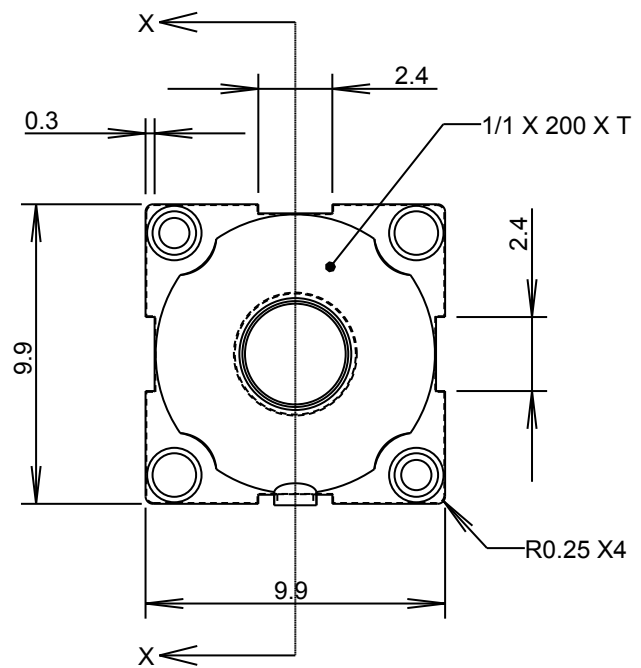
DRAWN **AJD** DATE **17-Nov-08**

CHK'D _____ DATE _____

APP'D _____ DATE _____

SCALE **4:1** COIL PART No. **10417**

SIZE **A4** COIL DRG. No. **60553** SHEET **1 OF 2**



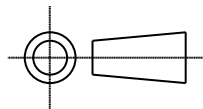
3D VIEW
SCALE 1:1

SEE DETAIL A

- NOTES:
1. MATERIAL - UV STABILISED POLYCARBONATE
2. INCLUSIONS SPECIFIED TO BS4301

ISS.	DATE	E.C.N.	DESCRIPTION
1	17-Nov-08		FIRST ISSUE

© 2008 CARCLO
ALL DIMENSIONS IN mm



CARCLO TECHNICAL PLASTICS (SLOUGH)
111 BUCKINGHAM AVE, SLOUGH
SL1 4PF, ENGLAND
TEL: +44 1753 575011 FAX: +44 1753 811359
e-mail: design@carclo-optics.com}

PCB GLUE PAD AND ALIGNMENT HOLE
LAYOUT DIMENSIONS

GENERAL TOLERANCES (UNLESS STATED)

LINEAR	ANGULAR
X +/- 0.25	X +/- 1°
X.X +/- 0.1	X.X +/- 0.5°
X.XX +/- 0.05	X.XX +/- 0.1°

CUSTOMER

CARCLO

TITLE

10MM SQUARE LED OPTIC
FRONT LENS VERSION

DRAWN

AJD

DATE

25-Jun-07

CHK'D

DATE

APP'D

DATE

SCALE

5:1

CARCLO PART No.

10417

SIZE

A4

CARCLO DRG. No.

60553

SHEET

2 OF 2

