

1 2 3 4 5 6

A

B

C

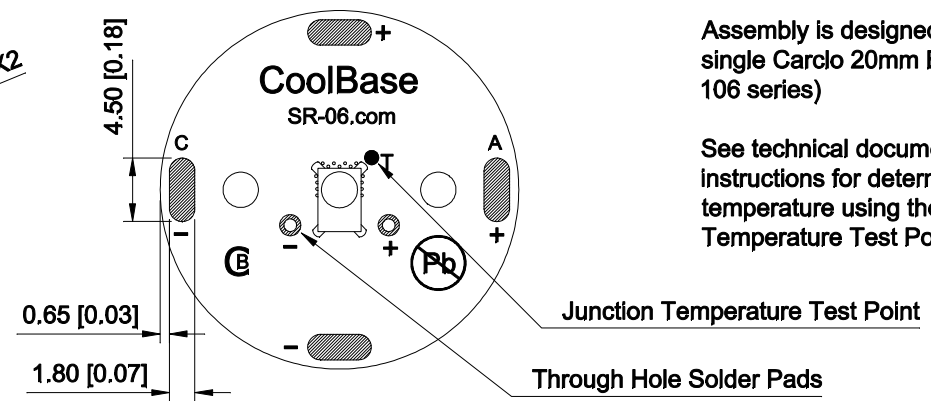
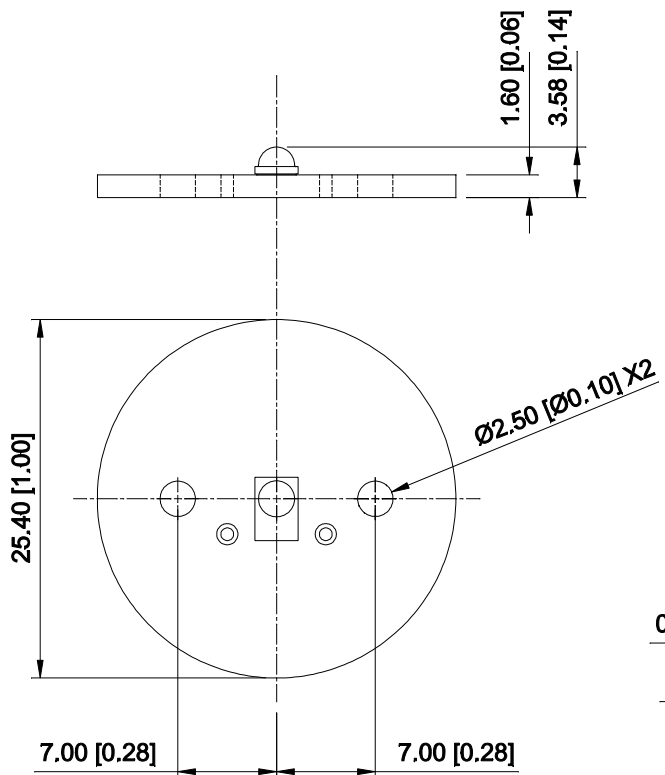
D

A

B

C

D



Notes:
Thermally conductive base constructed from FR4 laminate with 2 oz copper, off-white solder mask and black markings.

Assembly must be mounted to a suitable heat sink with a thermally conductive interface material such as our pre-cut thermal adhesive tape. (Part LXT-SR06-6)

Assembly is designed to accommodate a single Carclo 20mm Bubble Optic. (140 & 106 series)

See technical documentation for instructions for determining LED junction temperature using the Junction Temperature Test Point.

SCALE	2:1		NAME	DATE
UNITS	MM [INCHES]	DRAWN	RW	Mar 18/12
TOLERANCE		CHECKED	WW	Mar 29/12
SOLDER	Kester EM828	RELEASED		
REFLOW PROFILE				
QTY PER PANEL		COMMENTS:		
DEPANELIZED				
Above values unless otherwise noted				
DO NOT SCALE DRAWING				

QTY	DESCRIPTION
1	SR-06 CoolBase FR4 PCB
1	Lumileds Rebel LED

Quadica Developments Inc.

PROJECT
SR-06, 25mm Carclo Bubble Optic Compatible Round LED Assembly

Luxeon Star LEDs

DWG: SR-06-Assembly.dwg PART: SR-06-XX REV: B

PROJECT ID: SHEET 1 OF 1

1 2 3 4 5 A4