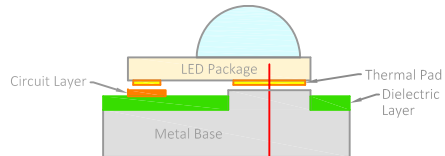
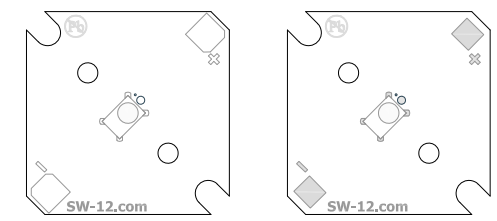


REVISIONS			
REV	DESCRIPTION	BY	DATE

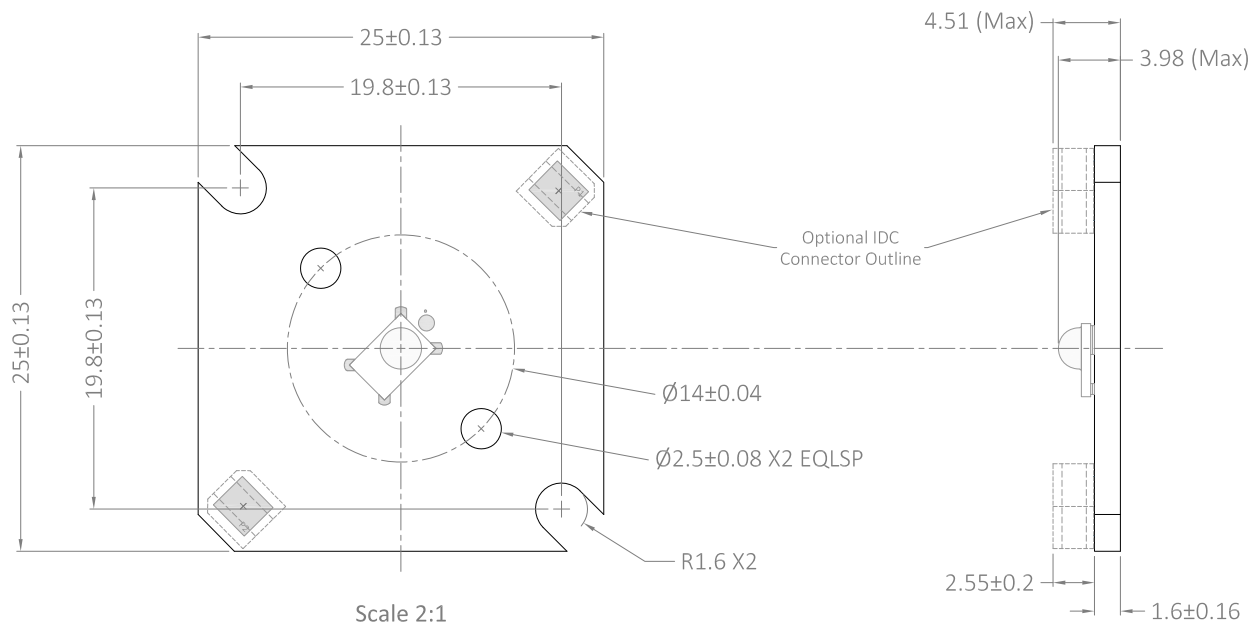


This SABER² LED module features COFAN USA's Pillar technology for a direct thermal path from the LED to the heatsink



IDC Connectors Solder Pads

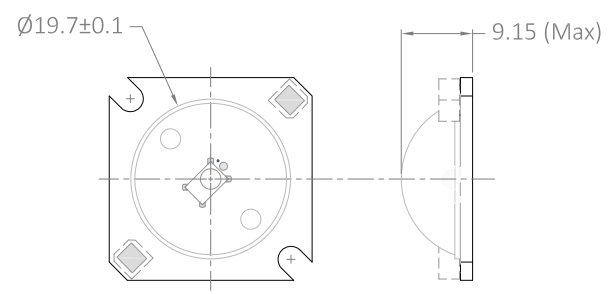
PCB Pads & Markings 1:1



Scale 2:1

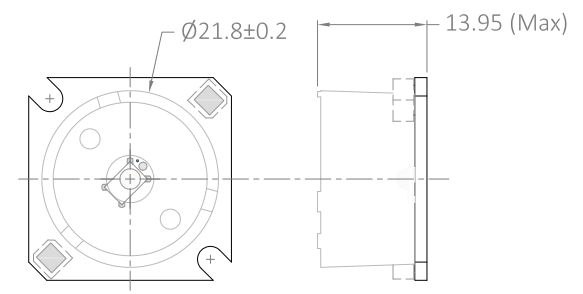
NOTES:

1. Base is a COFAN USA Pillar aluminum MCPCB with white soldermask and gold & black markings.
2. Bottom of the MCPCB base is uncoated and electrically neutral.
3. Solder pads are ENIG plated.
4. The LED module must be mounted to a suitable heat sink with a thermally conductive interface material such as our pre-cut thermal adhesive tape. (Part LXT-O-9)
5. Thermally conductive double sided tape or epoxy is recommended for fastening the LED module to the cooling surface. Mechanical fasteners are generally not recommended. See the SW-12 datasheet for additional details.
6. Solder pad locations are relative from the center of the module to the center of the solder pad.
7. The SW-12 MCPCB is compatible with any Fraen FLP or Carclo hemispherical optic. The module can be ordered with no secondary optic, or with any Fraen FLP or Carclo hemispherical series optics pre-attached to the MCPCB base.



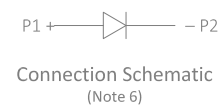
Carclo Hemispherical Optic (Note 7)

1:1



Fraen FLP Series Optic (Note 7)

1:1



Solder Pad Locations (Note 6)				
Pad ID	X Loc	Y Loc	Size	Rotation
P1	9.7	9.7	2.7 x 2.5	225°
P2	-9.7	-9.7	2.7 x 2.5	45°

SCALE	As noted	DRAWN	RW	Jul 27/23	SOLDER PASTE	AIM NC-258
UNITS	MM	CHECKED	CW	Jul 31/23	REFLOW PROFILE	Standard
TOLERANCE	As noted	ISSUED		Oct 29/23	QTY PER ARRAY	8



QTY	DESCRIPTION
1	SW-12 COFAN USA Pillar Aluminum MCPCB
1	LUXEON Rebel LED
1	Fraen FLP or Carclo Hemispherical Series Optics (See Notes)
2	AVX 00-9176-001-8X3-906 IDC Connector (Optional)

Luxeon Star LEDs
service@luxeonstar.com / www.luxeonstar.com

PROJECT

SW-12 SABER²
Star/O Rebel LED Module

Quadica Developments Inc.

PART: SW-12-XX